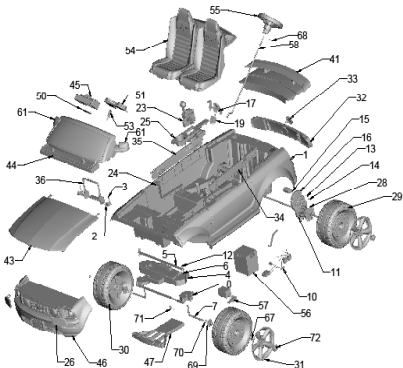


**J4390**  
**FORD MUSTANG**  
**12 VOLT ADVANCED SERIES**

|                   |  |
|-------------------|--|
| Age Range:        | 3-7 Years                                  |
| Weight Limit:     | 130 lbs.                                   |
| Surfaces:         | Hard and Grass                             |
| Speed:            | 2.5 MPH Forward/Reverse<br>5.0 MPH Forward |
| Colors:           | Red Body, Black Wheels                     |
| Intro:            | 2006                                       |
| Suggested Retail: | \$259.99                                   |
| Box Dimensions:   | 30.9 X 18.4 X 51.8 96 LBS                  |
| Warranty:         | One Year Vehicle<br>Six Months Battery     |



| ITEM | PART #            | DESCRIPTION                          | QTY  | ITEM | PART #     | DESCRIPTION            | QTY  |
|------|-------------------|--------------------------------------|------|------|------------|------------------------|------|
| 1    | N/A               | BODY                                 | 1 EA | 35   | N/A        | RIGHT INSIDE DOOR      | 1 EA |
| 2    | N/A               | PIVOT RETAINER                       | 2 EA | 36   | 3800-7809  | BATTERY RETAINER       | 1 EA |
| 3    | N/A               | SCREW, SELF TAPPING                  | 6 EA | 41   | J4390-9419 | REAR DECK W/ SPOILER   | 1 EA |
| 4    | J4390-2119        | FRONT MODULE                         | 1 EA | 43   | J4390-9459 | HOOD ASSY.             | 1 EA |
| 5    | J4390-4009        | CROSS BAR                            | 1 EA | 44   | J4390-9709 | WINDSHIELD ASSY.       | 1 EA |
| 6    | 0801-0196         | 7/16 FLAT WASHER                     | 2 EA | 45   | J4390-9619 | SOUNDBOX ASSY.         | 1 EA |
| 7    | J4390-4509        | FRONT AXLE                           | 2 EA | 46   | J4390-9809 | FRONT BUMPER W/ LIGHTS | 1 EA |
| 8    | J4390-9159        | STEERING LINKAGE ASSY.               | 1 EA | 47   | J4390-2829 | FRONT BUMPER SUPPORT   | 2 EA |
| 10   | <b>J4390-9799</b> | <b>MAIN WIRING HARNESS</b>           | 1 EA | 50   | N/A        | BATTERY DOOR ASSY      | 1 EA |
| 11   | <b>00968-2801</b> | <b>GEARBOX ASSY.</b>                 | 2 EA | 51   | N/A        | SOUNDBOX COVER         | 1 EA |
| 12   | 0801-0226         | .437 CAP NUT                         | 2 EA | 53   | J4390-2649 | SOUNDBOX KEY           | 1 EA |
| 13   | <b>00801-0198</b> | <b>M3-.5 X 32MM NYLOK SCREW</b>      | 2 EA | 54   | J4390-9759 | SEAT ASSY.             | 1 EA |
| 14   | N/A               | M3-.5 X 32 MM SLOT ROUND SCREW       | 1 EA | 55   | J4390-9769 | STEERING WHEEL ASSY.   | 1 EA |
| 15   | <b>00968-2707</b> | <b>MOTOR PINION ASSY.</b>            | 2 EA | 56   | 00801-0638 | 12V BATTERY            | 1 EA |
| 16   | <b>00968-2918</b> | <b>MTGBX ASSY.</b>                   | 2 EA | 57   | 00801-0972 | 12V PROBE CHARGER      | 1 EA |
| 17   | J4390-9309        | FOOTBOARD ASSY                       | 1 EA | 58   | J4390-4409 | STEERING COLUMN        | 1 EA |
| 19   | <b>00801-0923</b> | <b>SWITCH-ROCKER</b>                 | 1 EA | 61   | 3800-8227  | RIGHT/LEFT MIRROR      | 1 EA |
| 23   | J4390-9209        | SHIFTER ASSY.                        | 1 EA |      |            | HOUSING/COVERS         | 1 EA |
| 24   | J4390-2259        | WIRE COVER                           | 1 EA | 67   | 00905-0116 | 3/8"-16 LOCK NUT       | 2 EA |
| 25   | J4390-2469        | CENTER CONSOLE                       | 1 EA | 68   | 00801-1565 | 5/32-X 1 1/2 PIN       | 1 EA |
| 26   | N/A               | HEADLIGHT COVER                      | 2 EA | 69   | B9785-2229 | BUSHING                | 2 EA |
| 28   | J4390-2269        | DRIVER                               | 2 EA | 70   | 0801-0196  | WASHER                 | 2 EA |
| 29   | J4390-2279        | LEFT WHEEL (rear uses .437 cap nut)  | 2 EA | 71   | 00801-1620 | FASTENER CAP           | 1 EA |
| 30   | J4390-2289        | RIGHT WHEEL (rear uses .437 cap nut) | 2 EA | 72   | J4390-2329 | HUBCAP                 | 4 EA |
| 31   | J4390-6319        | WHEEL COVER                          | 4 EA |      |            |                        |      |
| 32   | 3800-8228         | TAILLIGHT ASSY.                      | 2 EA |      |            |                        |      |
| 33   | J4390-6409        | GAS CAP                              | 1 EA |      |            |                        |      |
| 34   | N/A               | LEFT INSIDE DOOR                     | 1 EA |      |            |                        |      |

**PARTS NOT SHOWN**

|            |                        |   |
|------------|------------------------|---|
| J4390-4519 | REAR AXLE              | 1 |
| J4390-9259 | PARTS BAG              | 1 |
| J4390-9269 | HARDWARE BAG           | 1 |
| J4390-2479 | EXHAUST PIPE RIGHT     | 1 |
| J4390-2909 | EXHAUST PIPE LEFT      | 1 |
| 74440-5349 | SEATBELT SET           | 1 |
| 00801-1567 | ASSEMBLY TOOL (WRENCH) | 1 |

**PARTS NOT SHOWN**

|                   |                        |          |
|-------------------|------------------------|----------|
| N/A               | DRIVING LIGHTS         | 2        |
| J4390-0310        | MAIN DECAL             | 1        |
| J4390-0320        | MYLAR DECAL            | 1        |
| J4390-0920        | MANUAL                 | 1        |
| <b>00801-0933</b> | <b>FOOTSWITCH</b>      | <b>1</b> |
| J4394-9059        | BATTERY LIFE INDICATOR | 1        |
| 00801-1518        | PW EMBLEM              | 1        |

4/19/2007

**Bold and underlined parts are to be purchased and installed by Service Centers only. These items may not be sold directly to consumers by Service Centers or Fisher-Price.**